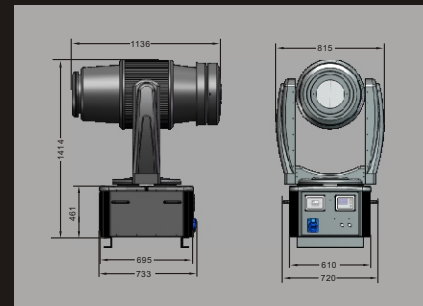
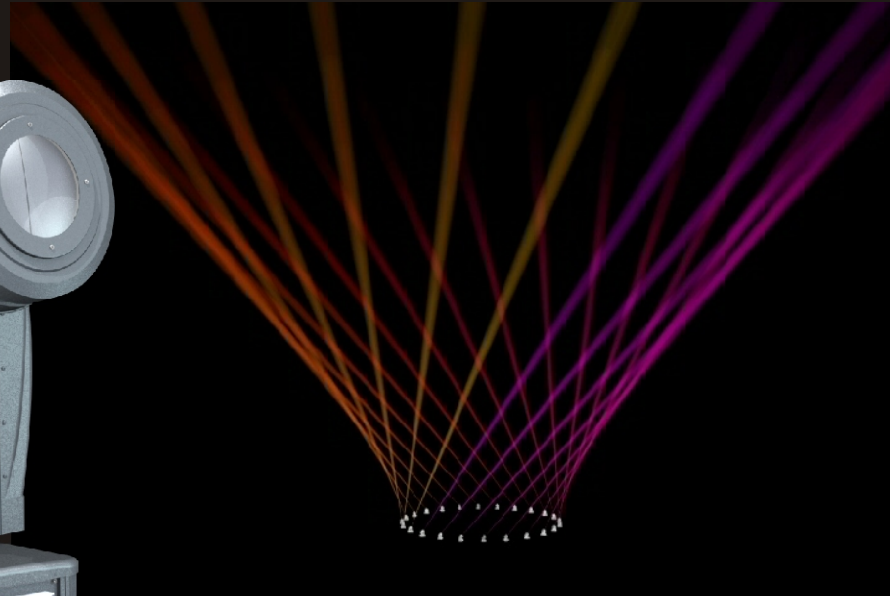


电脑型 / Computerized

户外电脑全功能表演空中玫瑰灯

Outdoor computerized full function show sky rose light



规格型号 Model type	射程 (白光) km Light distance(white color)	外观尺寸mm Appearance size	重量kg Weight
GBSTK/DMX-XBO3000W	1~2	1207 × 808 × 1335	110
GBSTK/DMX-XBO4000W	2~3	1207 × 808 × 1335	125
GBSTK/DMX-XBO5000W	3~4	1207 × 808 × 1335	135
GBSTK/DMX-XBO7000W	4~5	1207 × 808 × 1335	168

技术参数

- 型号: GBSTK/DMX-XBO3000/4000/5000/7000W-A/B
- 电源: AC220V ± 5% / 50Hz (1P+N+E) (3-5kw)
AC380V ± 5% / 50Hz (3P+N+E) (7kw)
- 光源: 球形直流氙灯 3000W/4000W/5000W/7000W
- 防护等级: IP44
- 光束数量: ≤ 46束光
- 光束角: 0~20° DMX512通道控制变焦, 光束可开合
- 光束旋转角度: ± 360° DMX512通道控制正反转向
- 灯体旋转角度: X-轴 350°, Y-轴 240° (两轴均带精密纠错)
- 传动方式: 精密蜗轮蜗杆紧凑型传动
- 光源焦点: Y、X、Z微调
- 变色系统: A型: 无变色功能
B型: 采用独创内置式CMY三基色多边形玻璃筒方式无极变色 (专利号: ZL200530010300x)
- 电子调光: 10~100%
- 电子频闪: 1~15f/s
- 光闸: DMX512通道控制机械光闸
- 控制方式: DMX512控制台控制; 主从机同步控制(内置自走演示程序)
- 通道数: A型: 7CH; B型: 12CH (详见附表)
- 显示方式: LCD蓝色背光液晶屏, 一键飞梭方式选择菜单
- 保护方式: 采用全金属离心风机, 风速霍尔传感器自动监控保护
- 用途: 可用于广场、公园、高层建筑、城市制高点、江河沿岸的大型景观, 是城市夜景灯光表演秀不可缺少的主要灯具。该类型灯具主要用于一些对灯光效果要求较高的重点工程, 可实现灯光与音乐、文化及故事场景表演的配合使用

Technical features

- Model type: GBSTK/DMX-XBO3000/4000/5000/7000W-A/B
- Power source: AC220V ± 5% / 50Hz (1P+N+E) (3-5kw)
AC380V ± 5% / 50Hz (3P+N+E) (7kw)
- Lighting source: (sphere DC xenon lights) 3000W/4000W / 5000W/7000W
- Protection level: IP44
- Light beam: ≤ 46 light beam
- Light beam angle: 0~20° DMX512 channel control zoom, the lights can open and close
- Lights rotating angle: ± 360° DMX512 channel control is return steering
- Light body rotation angle: X-axis 350°, Y-axis 240° (Two axis all takes precision error correction)
- Transmission way: Precision worm compact transmission
- Light beam focus: Y、X、Z fine-tuning
- Type B: Adopt unique built-in CMY three colors polygon glass tube way discoloration Non-polar (Patent number): ZL200530010300x
- Electronic dimmer: 10~100%
- Electronic stroboscopic: 1~15f/s
- Light brake: DMX512 Channel control mechanical light brake
- Control mode: DMX512 Console control; Master-slave machine synchronous control; (Built since go demo)
- Channel number: Type A: 7CH
Type B: 12CH (Details see attached list)
- Display: Blue backlit LCD, a key shuttle options menu
- Protection way: Adopts full metal centrifugal fan, wind speed hall sensor-based automatic monitoring protection
- Applications: Squares, parks, high-rise buildings, high places of cities, broad sky sceneries along rivers, Is the city at night light show show indispensable main lamps and lanterns

B型 DMX512通道

B: DMX512 channel standard

Ch1	X轴电动旋转 (8 bit) X axis electric rotating (8 bit)	0° Rotation 350° 255°
Ch2	Y轴电动旋转 (8 bit) Y axis electric rotating (8 bit)	-30° Rotation 240° -210°
Ch3	X-Y 旋转速度 X-Y speed	0-12转/分 0-12 rotate / minute FAST SLOW
Ch4	C 青色 / cyan	
Ch5	M 洋红 / magenta	
Ch6	Y 黄色 / yellow	
Ch7	CMY 变色速度 CMY colour change speed	FAST SLOW
Ch8	调光 / Dimming	10-100%
Ch9	频闪 / Strobeflash	1-15f/s
Ch10	光束360° 正转, 慢 → 快 (分5极) Beam 360° inversion, slow - fast (points five extremely)	

A型 DMX512通道

A: DMX512 channel standard

Ch1	X轴电动旋转 (8 bit) X axis electric rotating (8 bit)	0° Rotation 350° 255°
Ch2	Y轴电动旋转 (8 bit) Y axis electric rotating (8 bit)	-30° Rotation 240° -210°
Ch3	X-Y 旋转速度 X-Y speed	0-12转/分 0-12 rotate / minute FAST SLOW
Ch4	调光 / Dimming	10-100%
Ch5	频闪 / Strobeflash	1-15f/s
Ch6	CMY 变色速度	FAST SLOW
Ch7	光束360° 正转, 慢 → 快 (分5极) Beam 360° inversion, slow - fast (points five extremely)	